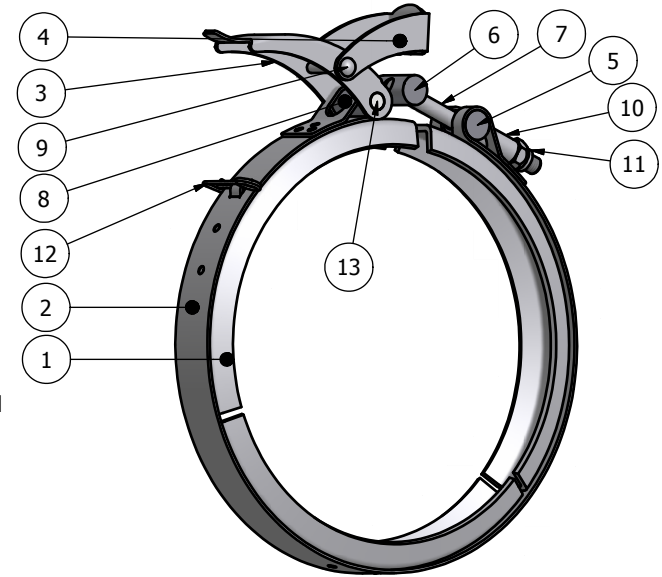
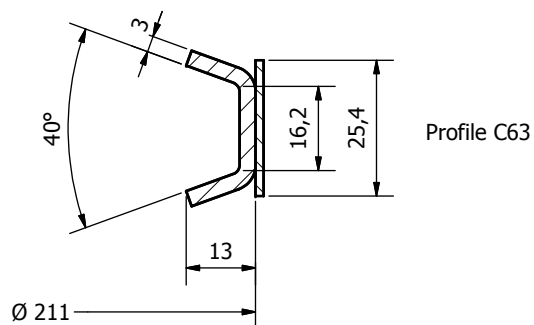


Projection Weld
Each Segment
2 Places



View A-A



PARTS LIST

ITEM	QTY	PART NUMBER	STANDARD	MATERIAL	DESCRIPTION	DETAILS
1	3	C-0285/1		1.4571	Segment	C-0285B-RevA
2	1	BandS-211		1.4571	Outer Band	C-0285C-RevB
3	1	C-0285/2		1.4571	Handle	C-0285A-RevD
4	1	C-0285/3		1.4571	Toggle	C-0285A-RevD
5	1	BOLT25x14H		1.4571	Trunnion with Hole	
6	1	BOLT25x14M8		1.4571	Trunnion with thread	
7	1	M8 x 75	DIN 938	A4	Double End Stud	
8	1	BOLT25x14/Spc		1.4571	Trunnion for Rivets	C-0285C-RevB
9	1	RivetØ5x32	DIN 660	A4	Rivet	
10	1	SpacerØ8x25		1.4571	Spacer	
11	1	Nut-M8/Insert	ISO 7040	A4+Nylon	Prevailing Torque Nut	
12	1	613-7		1.4301	Retainer	
13	2	Rivet-CSØ5x6		A4	Rivet, Countersunk	

REVISION HISTORY

ZONE	REV	DESCRIPTION	DATE	APPROVED
All	A	Trunnions, band gauge changed	17-11-2010	
All	B	Item 13, rivets added	04-12-2010	
All	C	Lock Bracket removed	29-01-2011	
All	D	T-Bolt longer, Segment spacing	31-01-2011	

Material Aisi 316L Surface treatment None

Designed by JH Checked by Approved by Date 03-11-2010 Weight



V-Profile Clamp with Toggle Latch

C-0285

Edition D Sheet 1 / 1