

Note:
Remove all sharp edges before electropolishing

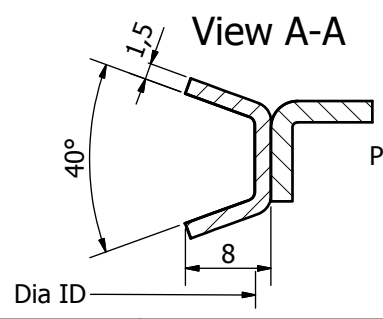
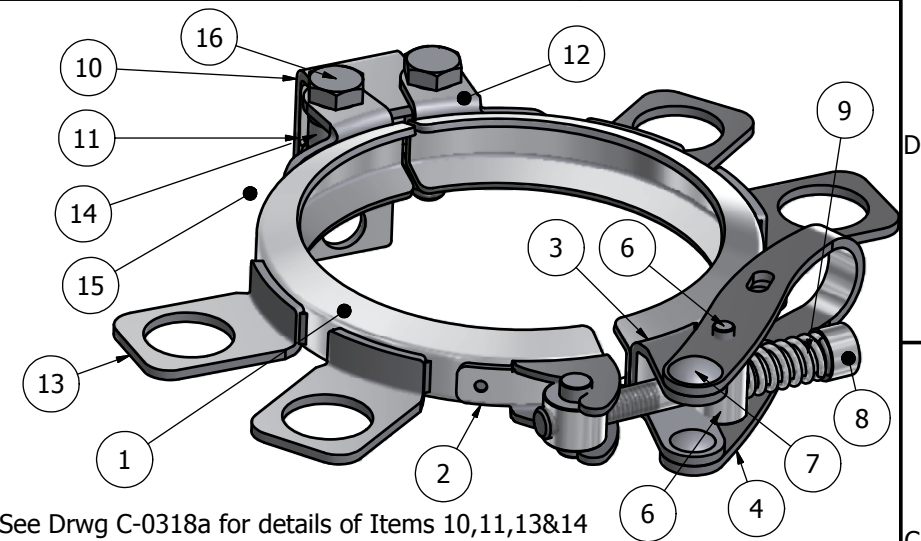


TABLE			
Nom	Dia ID	Dia OD	Weight
3"	92	95	250g
4"	121	124	265g



See Drwg C-0318a for details of Items 10,11,13&14

PARTS LIST					
ITEM	QTY	PART NUMBER	NORM	MATERIAL	DESCRIPTION
1	2	C-0318Segment		1.4404	Profile Segment
2	1	BracketOpen/OD		1.4404	Bracket
3	1	HDBracketHandle/OD		1.4404	Bracket for Handle
4	1	HDHandle		1.4404	Handle
5	1	TrunnionM6		1.4404	Trunnion with hole
6	1	TrunnionHDø6,5		1.4404	Trunnion with thread
7	2	Rivet-4 X 5	GB/T 871	A4	Semi-Tubular Rivet
8	1	M6 x 60	DIN912	A4	Allen Screw
9	1	c03600590690s		SST	Spring
10	1	C-0318/4		1.4404	Console
11	1	C-0318/3		1.4404	Console Link
12	2	HingeBracket/OD		1.4404	Bracket
13	1	BottleHolder/OD		1.4404	Bottle Holder
14	2	M.Stk Ø6,2x6		1.4404	Bushing
15	2	Nut M6x1 Insert	B18.16	A4	Prevailing Torque Nut
16	2	M6 x 25	ISO 4017	A4	Hex-Head Bolt

REVISION HISTORY				
ZONE	REV	DESCRIPTION	DATE	APPROVED
A-5	A	Profile chgd to C-90 (mod)	05-09-2011	
All	B	Bolt assy, Weld of Holder	12-10-2011	

Material Aisi 316L			Surface treatment Electropolished		
Designed by	Checked by	Approved by	Date	Tolerances	Weight
JH			15-07-2011	ISO 2768m	Table

		2-Segment Clamp w Handle, Spring & Holders	
		C-0318	Sheet 1 / 1