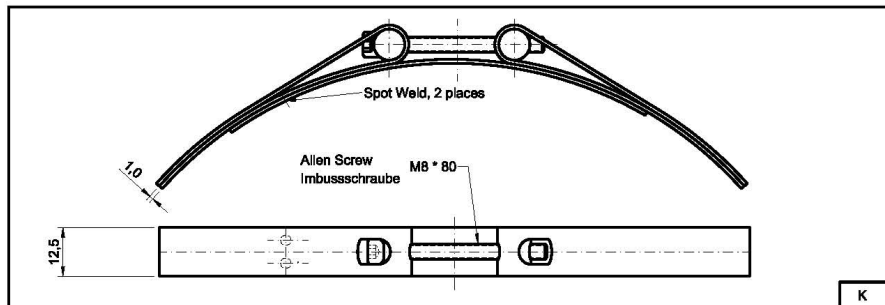
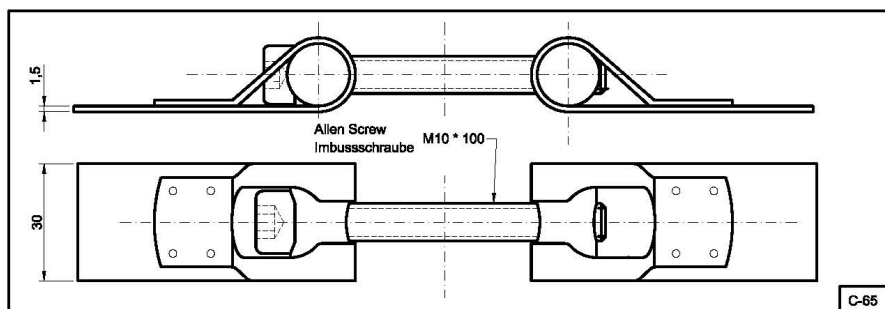
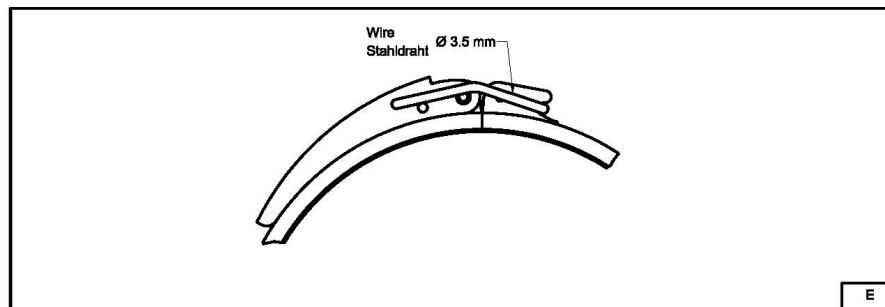
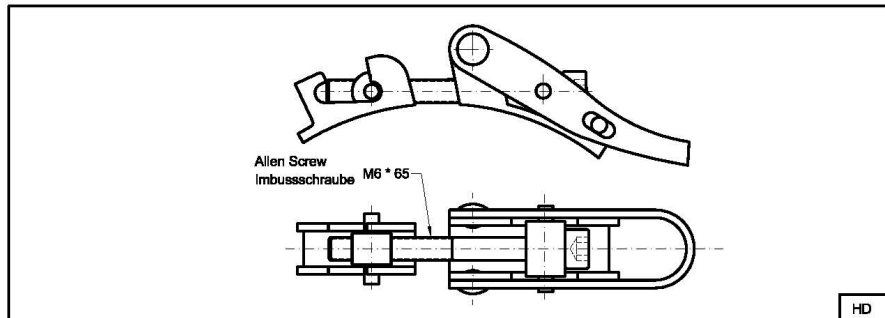
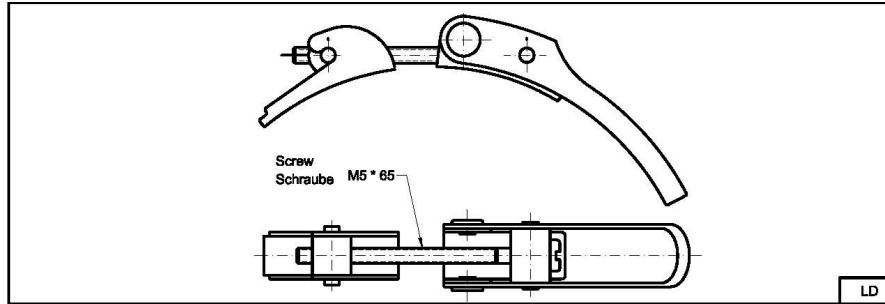


HANDLES / VERSCHLÜSSE



Examples of available handles. Materials Galvanised and Stainless Steel. Contact us for quotation.

The reliable connection for hose and tube systems
Die sichere Verbindung für Schlauch- und Rohrsysteme

