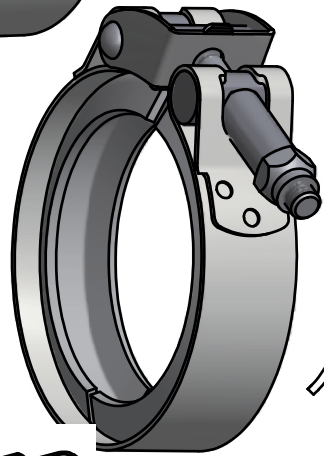
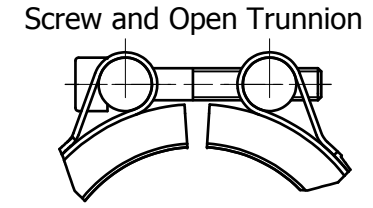
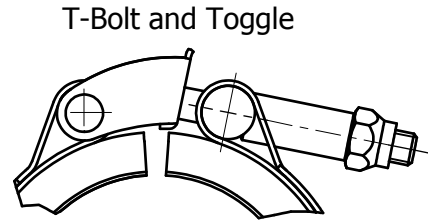
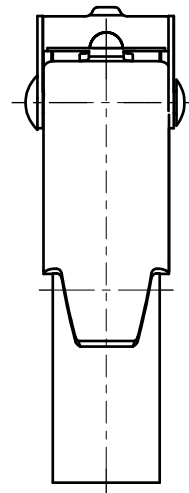
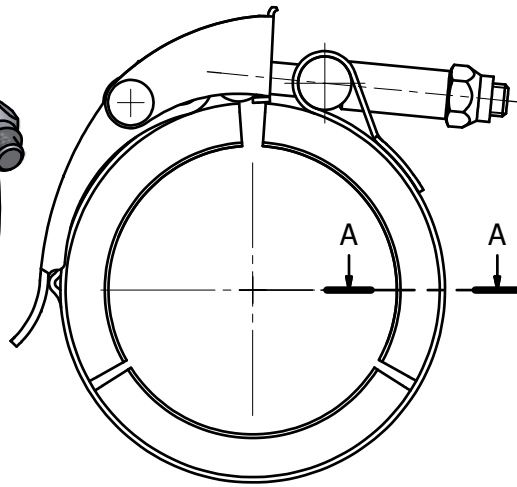


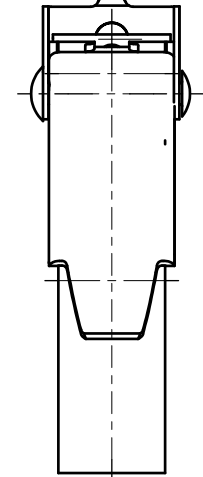
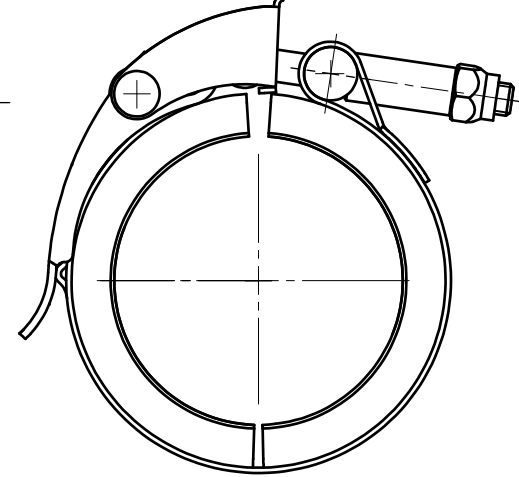
Standard Dimensions	
Nominal	Dia ID
1,5"	52,4
2"	66
2,5"	80
3"	93
4"	121



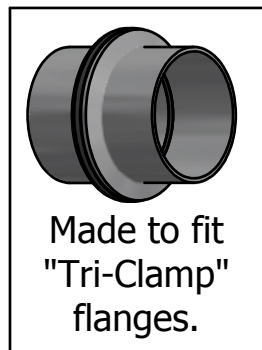
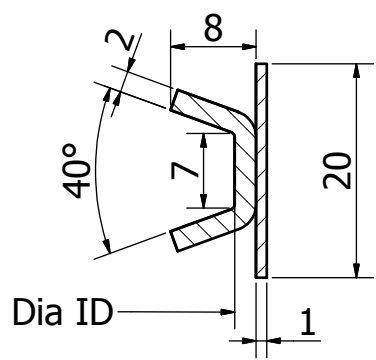
3-Segment Clamp w Toggle Latch



2-Segment Clamp w Toggle Latch



Section A-A



Other sizes and profiles on request.

Material Mild Steel, Aisi 304 or Aisi 316			Surface treatment Electrogalvanised or None			
Designed by	Checked by	Approved by	Date	Tolerances	Date	Weight
JH	NN	JH	29/5/13	ISO 2768m	14/6/12	Var
			Tri-Clamp Options			
			D-0376		Edition	Sheet
		B		1 / 1		